

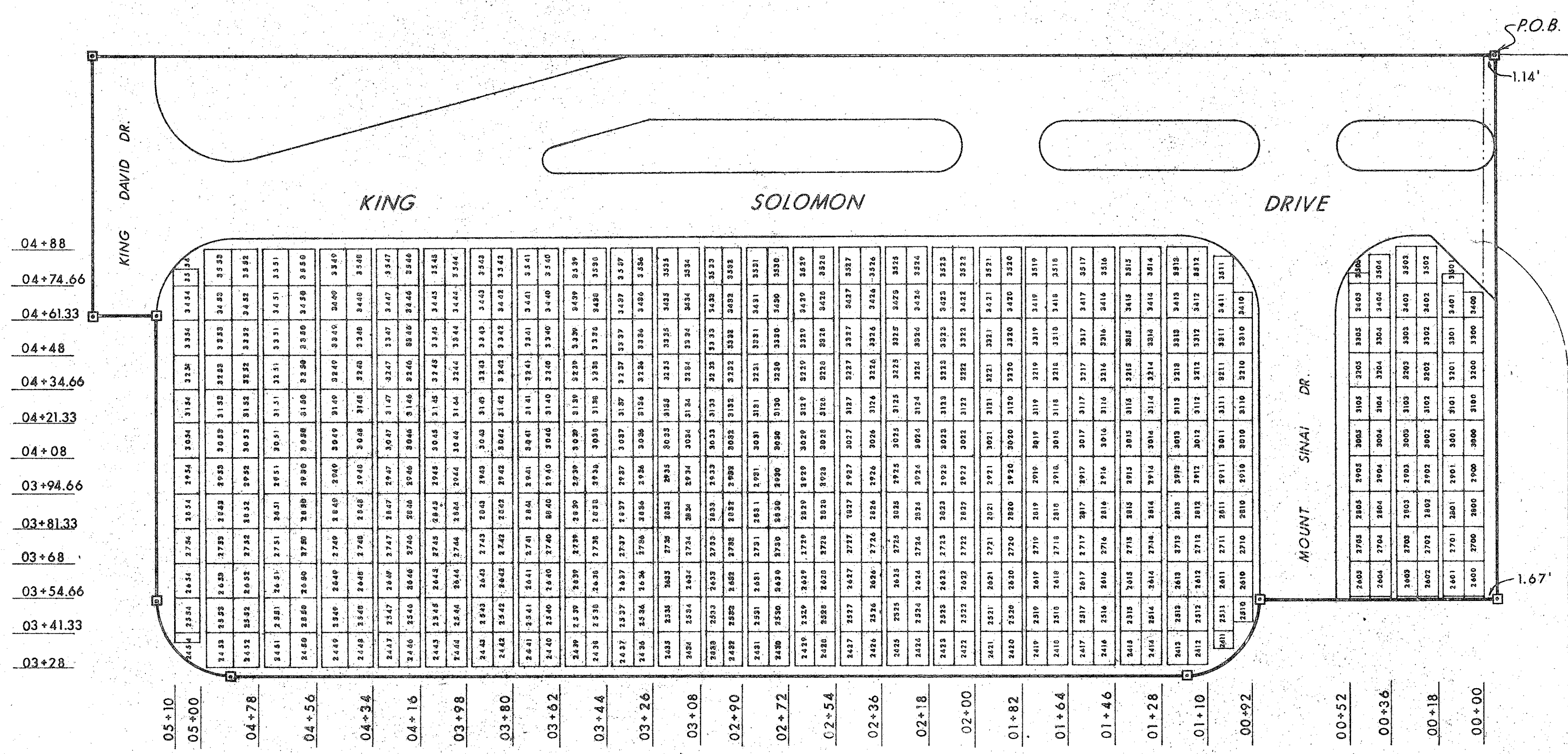
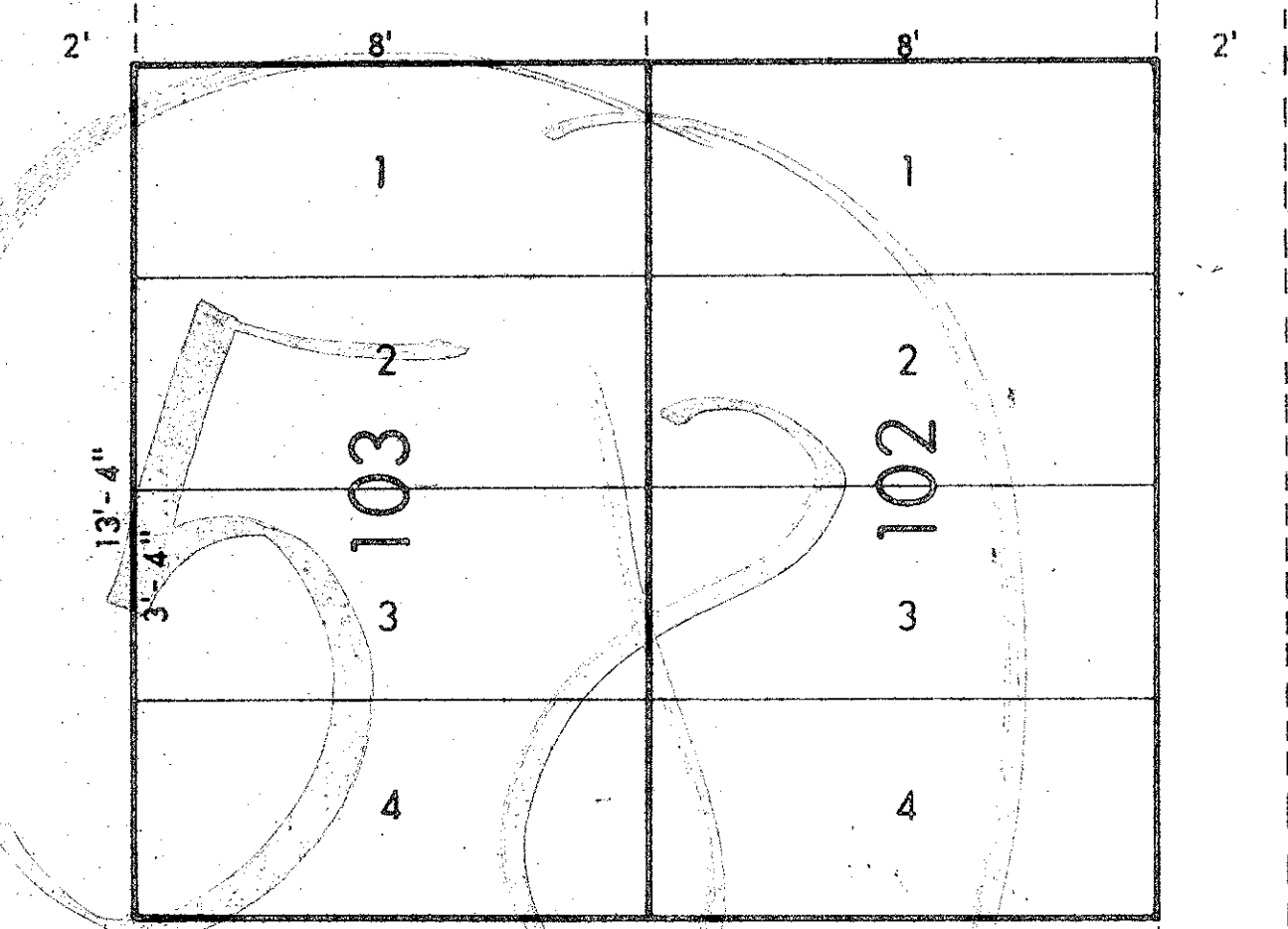
STATE OF FLORIDA
COUNTY OF PALM BEACH

THIS PLAT WAS FILED
FOR RECORD AT _____M,
THIS _____DAY OF _____
19____, AND DULY
RECORDED IN PLAT
BOOK NO. _____ ON
PAGE _____ JOHN B.
DUNKLE, CLERK OF THE
CIRCUIT COURT BY
_____, D.C.

NORTHEAST CORNER
OF
SHALOM MEMORIAL
PARK
PLAT BOOK: 31
PAGE: 194-195

GARDEN OF RUEBEN
A REPLAT OF A PORTION OF
"SHALOM MEMORIAL PARK" IN
SECTION 14, TOWNSHIP 42
SOUTH, RANGE 41 EAST, PALM
BEACH COUNTY, FLORIDA
PLAT BOOK 31 PAGE 194-195

APRIL 1976



STA. 00+00 IS THE SOUTH LINE OF "SHALOM MEMORIAL PARK"

1000-189

TYPICAL PLOT LAYOUT

31
246